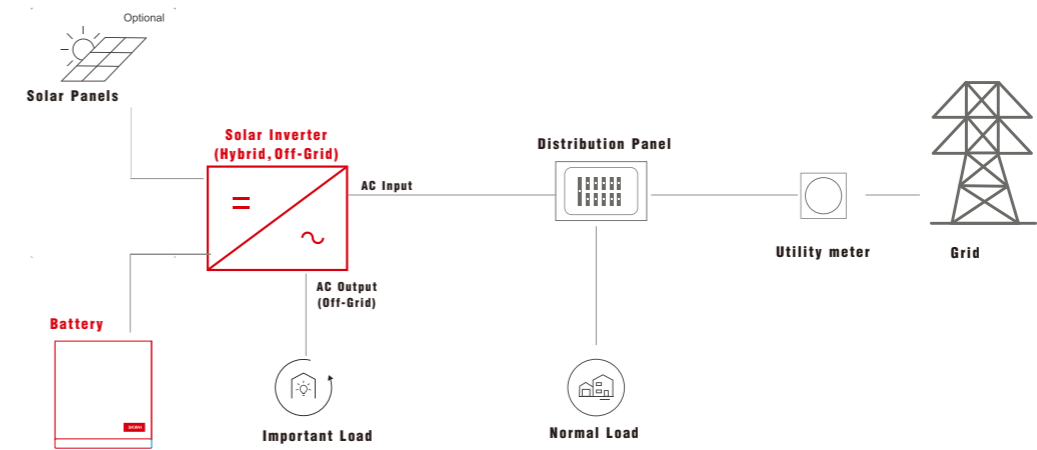


LOW VOLTAGE BATTERY-48V

SYSTEM TOPOLOGY



SAFETY

- + Long life type prismatic LiFePO4 cells, suitable for energy storage application.
- + Low voltage system, safety for application.
- + Cell certification: UN38.3, ROHS, IEC62619, UL1973 and UL9540A
- + Battery certification: UN38.3, MSDS, CE
- + Cycle life >6000 cycles.

DESIGN

- + Flexible and easily installation, support wall mounted.
- + -20~+55°C widely temperature range.
- + Parallel support for more energy or more capacity inverter.
- + SOC, RUN, ALARM display and APP for detailed operation.
- + OVP, LVP, OCP, OTP, LTP protection.
- + RS485,CAN communication port for inverter.

Compatible with inverter brands

Communication compatible with major inverter



PARAMETERS

Model	BAT-5KWH-48V	BAT-10KWH-48V	BAT-16KWH-48V
Nominal Voltage [V]	48	48	48
Nominal Capacity [Ah]	100	200	306
Total Energy [Wh]	4800	9600	15667
Dimension (W*D*H, mm)	520*165*566	520*165*865	520*200*865
Weight [Kg]	48	92	129
Max. Charging Current [A]	100	100	140
Max. Discharging Current [A]	100	100	140
Pulse Discharge Current	110A @ 10min 120A @ 10s	110A @ 10min 120A @ 10s	165A @ 10min 180A @ 10s
Charging Voltage [V]	52.5~54.7		
End of Discharge Voltage [V]	42 (Backup Application) / 45 (Cycle Application)		
Operation Humidity	0~95% RH (No condensing)		
Operating Temperature Range	Standard Product: Charge: 0 ~ +55°C; Discharge: -20 ~ +55°C With Optional Heater: Charge / Discharge: -30 ~ +55°C		
Cycle Life ⁽¹⁾	>6000		
Designed Calendar Life	10 Years		
Communication interface	RS485, CAN		
Protection	Over voltage , Low voltage, Over current, Over Temperature, Low Temperature, Short circuit		
Parallel Support ⁽²⁾	Yes, Max. 15 Sets		
Series Support	Not support		

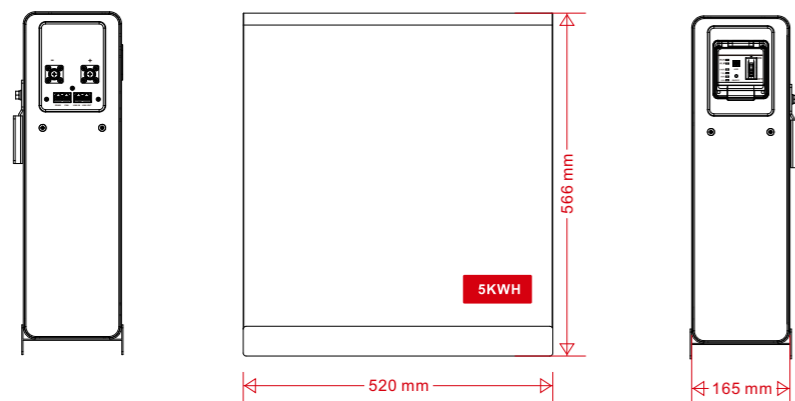
Note:

(1) 25°C ,0.5C/0.5C, 90%DOD and 70% EOL

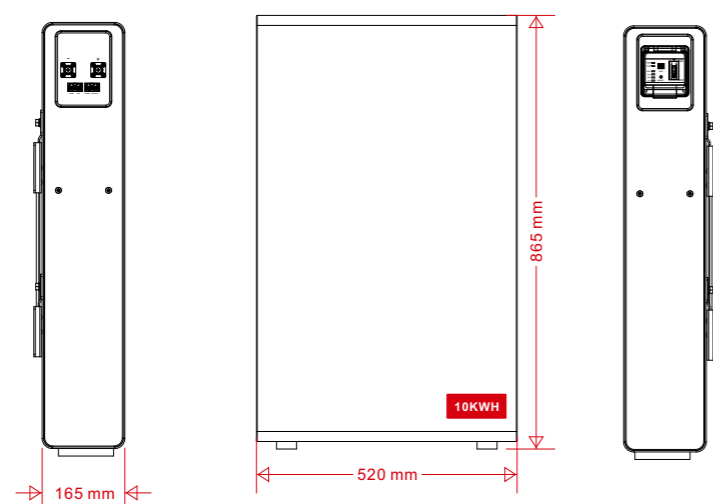
(2) For parallel connection, refer to user manual.

LOW VOLTAGE BATTERY-51.2V

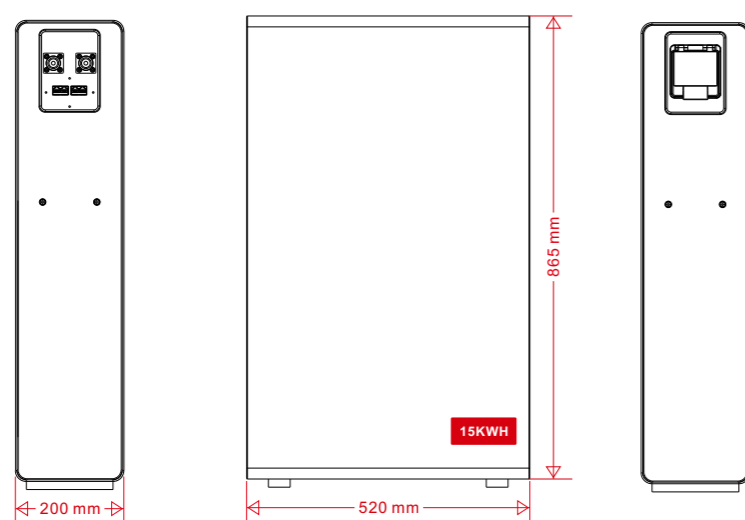
DIMENSION BAT-5KWH-51.2V



DIMENSION BAT-10KWH-51.2V

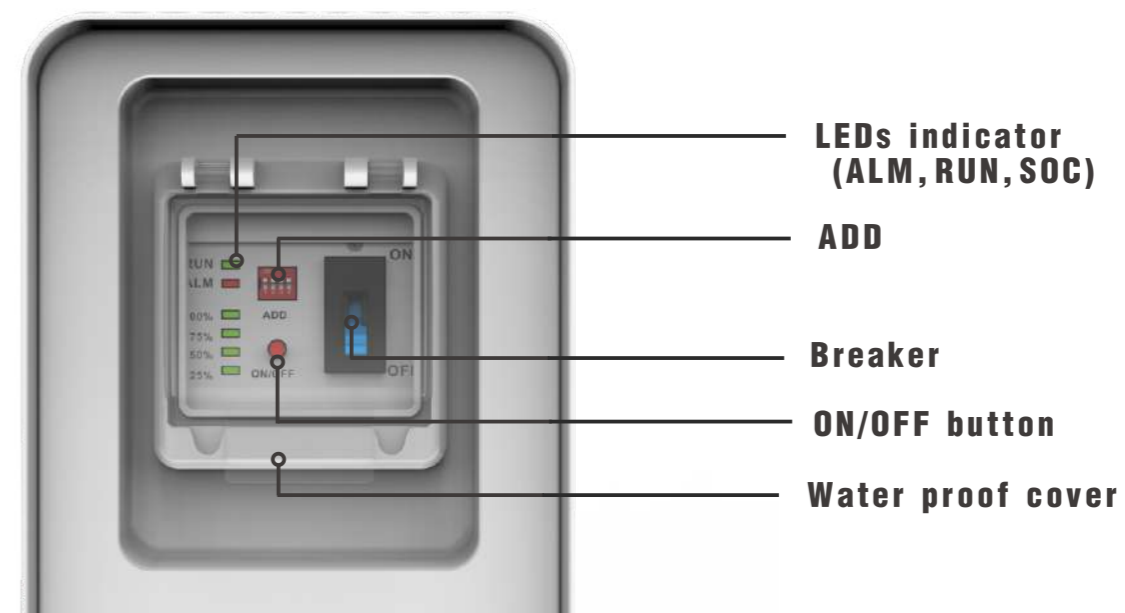
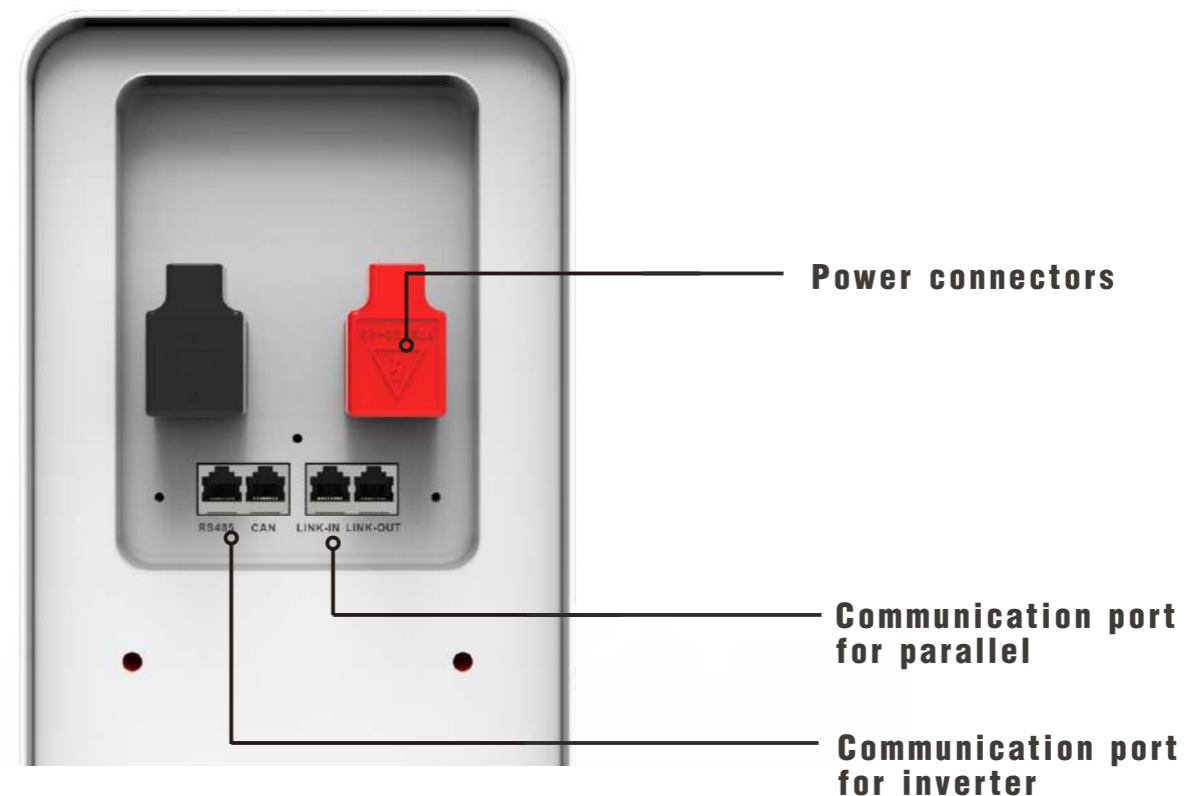


DIMENSION BAT-15KWH-51.2V



LOW VOLTAGE BATTERY-51.2V

DETAILS





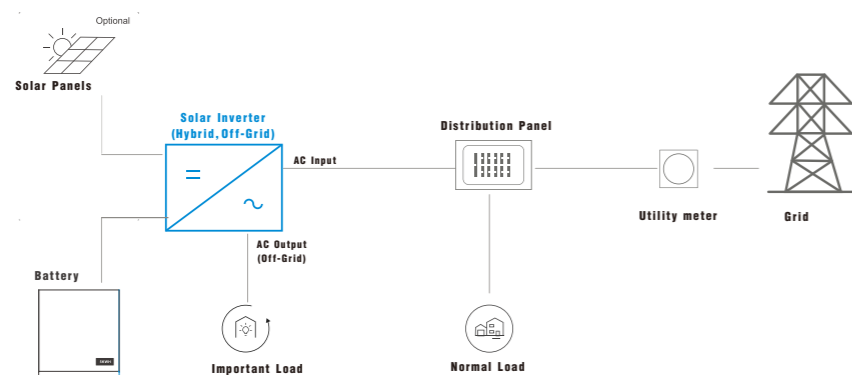
FEATURES

- ☑ Adopt DSP full digital control mode .
- ☑ High precision MPPT controller.
- ☑ PV input voltage up to 500VDC.
- ☑ Configurable Grid or PV input priority.
- ☑ Support parallel for three-phase four-wire power system.
- ☑ Max 6 sets in parallel for capacity expansion.
- ☑ ECO model can reduce electricity bills.
- ☑ Support diesel generator control for off-grid application.
- ☑ Balanced charging mode prolong battery cycle life.
- ☑ Optional WIFI/GPRS module for remote monitoring.

■ INV-5KW-EU-220Vac

■ INV-5KW-AM-110Vac

SYSTEM TOPOLOGY



HYBRID INVERTER

	INV-5KW-EU-220Vac	INV-5KW-AM-110Vac
Battery		
Battery Voltage	48VDC	
Maximum Charging Current (AC +PV)	100A	
Battery Type	Lithium	
Solar Input		
Maximum PV Input Power	6000W	
MPPT Range @ Operating Voltage	120VDC -450VDC	
Maximum PV Input Current	22A	
Number of MPPTTrackers	1/1	
Maximum PV Open-circuit Voltage	500VDC	
Maximum Solar Charge Current	100A	
AC Output		
Rated Power	5000VA/ 5000W	
AC VolParallel Capability	Yes, 6 units maximum	
AC Voltage Regulation	230VAC ± 5% @ 50/60Hz	120VAC± 5% @ 50/60Hz
Surge Power	10000VA	
E ciency (Peak)	0.93	
Waveform	Pure sine wave	
Transfer Time	10ms typical, 20ms Max	
AC Charger Data		
Charge Current	60A	60A
AC Input Voltage	230 Vac	120 Vac
Selectable Voltage Range	170-280 Vac	90-140Vac
Frequency Range	50Hz/60Hz (Auto sensing)	
Physical Data		
Protection Degree	IP20	
Dimension (W/H/D)	520*566*165	
Net Weight	26Kg	
Others		
Certificate	CE(IEC62109-1/2)/ 1-6PCS	ETL(UL 1741 C22.2 NO.107.1)
Humidity	5% to 95% Relative Humidity(Non-condensing)	
EMC Certification Level	EN61000, C2	
Altitude	<2000m	
Operating Temperature	0°C - 55°C	
Storage Temperature	-15°C - 60°C	